

C Flat Wood Solo



Code	CFWSOLO-S2
Output	5kW
Log length	325mm
Nett efficiency	79%
Width	457mm
Height	495mm
Depth	334mm

If you are looking for the rustic simplicity of a truly traditional wood burning stove, the Villager C Flat Wood is perfect. This little gem is efficient yet uncomplicated and is sure to become a family favourite.

Features

- Lifetime guarantee
- Preheated airwash system for clean glass
- Burns wood
- Primary and secondary burn to improve efficiency
- Top or rear 127mm (5") flue outlet

Optional Extras

- Add On Canopy - High - [AOCV013]
- Add On Canopy - Low - [AOCV012]
- Add-in Boiler - [AIBV006]
- Arada Universal Stand - [STAND001]
- Universal Stand/Log Store - [STAND003]

C Flat Wood Solo - Technical Information

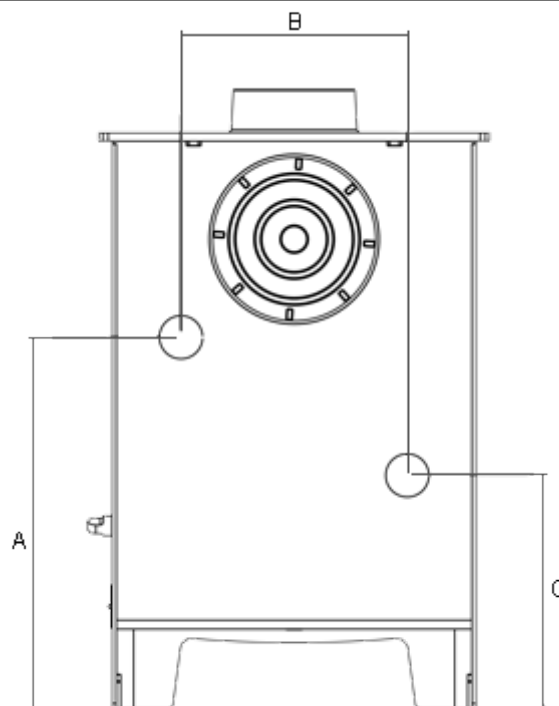
Code	CFWSOLO-S2
Output range	1-6.5kW
Nett efficiency	79%
Width	457mm
Height	495mm
Depth	334mm
Height to centre of rear flue	395mm
Height of add on low canopy	143.5mm
Height of add on high canopy	236mm
Added height when on stand	200mm
Depth of back to centre of top flue	102mm
Flue diameter	127mm
Suitable for 12mm hearth	Yes
Under hearth temperature	51.5°C
Suitable for direct air supply kit	No
Packed weight	60kg
Maximum log length	325mm

Minimum Distance To Combustibles

To rear of stove	800 mm
To sides of stove	750 mm
Above stove	381 mm

Boiler Tapping Measurements

Distance A	412 mm
Distance B	252 mm
Distance C	208 mm



Add In Boiler Tapping Measurements.
Rear view example shown. Not to scale.